

SUBMERSIBLE SUMP / UTILITY PUMP

Series: BP33 & BP50
0.3 & 0.5 HP / 3500 RPM
Discharge: 1½"
Spherical solids handling: 1/2"



DISCHARGE

1½" NPT, female, vertical.

LIQUID TEMPERATURE

104°F (40 °C) continuous.

VOLUTE

Cast iron ASTM A-48 class 30.

MOTOR HOUSING

Cast iron ASTM A-48 class 30.

IMPELLER

Design: 10 vane vortex, with vanes on back side, balanced.

Material: cast iron ASTM A-48 class 30, dynamically balanced, ISO G6.3.

SHAFT

416 series stainless steel.

O-RINGS

Buna-N.

PAINT

Air dry enamel, water based.

SEAL

Design: single, mechanical, oil filled chamber.

Material: carbon / ceramic / Buna-N, with stainless steel hardware.

HARDWARE

300 series stainless steel.

CORD ENTRY

Neoprene cord SJOW 18/3, sealed against moisture.

BEARINGS

Upper: ball, single row, oil lubricated, for radial load.

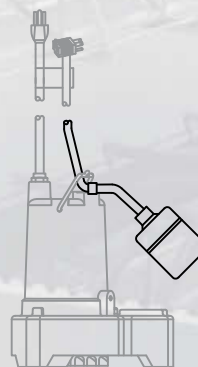
Lower: ball, single row, oil lubricated, for radial and thrust load.

MOTOR

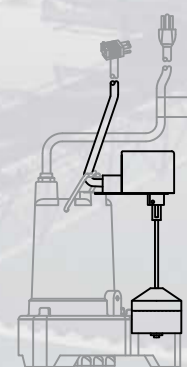
NEMA L, single phase, permanent split capacitor, 115 volts, 60 Hz, 3500 RPM, oil filled, with overload protection in motor.

PUMP OPERATION

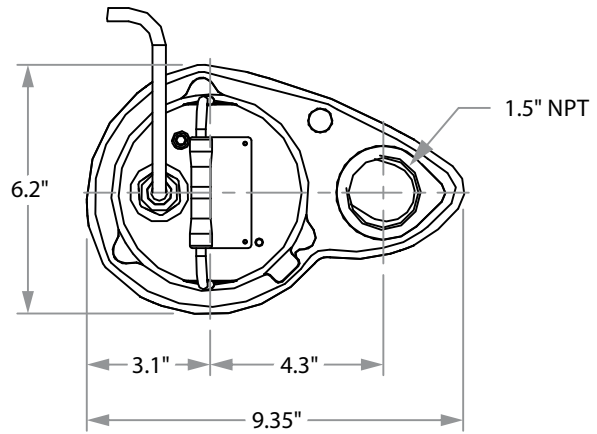
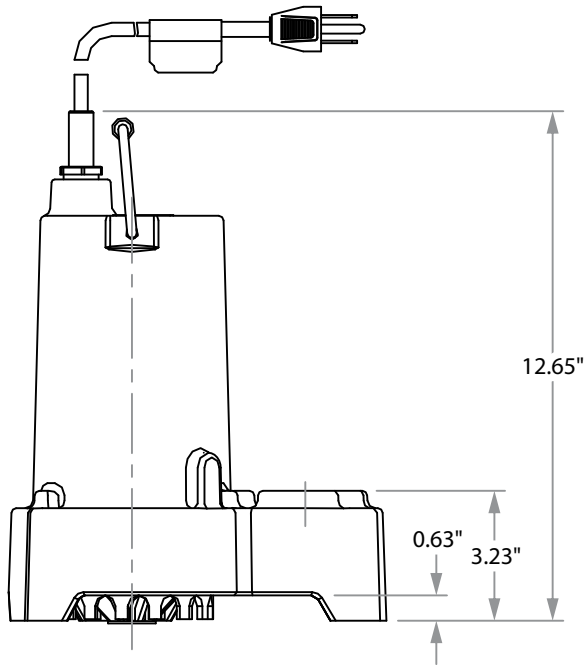
Automatic float switch or automatic vertical float switch.



Float switch

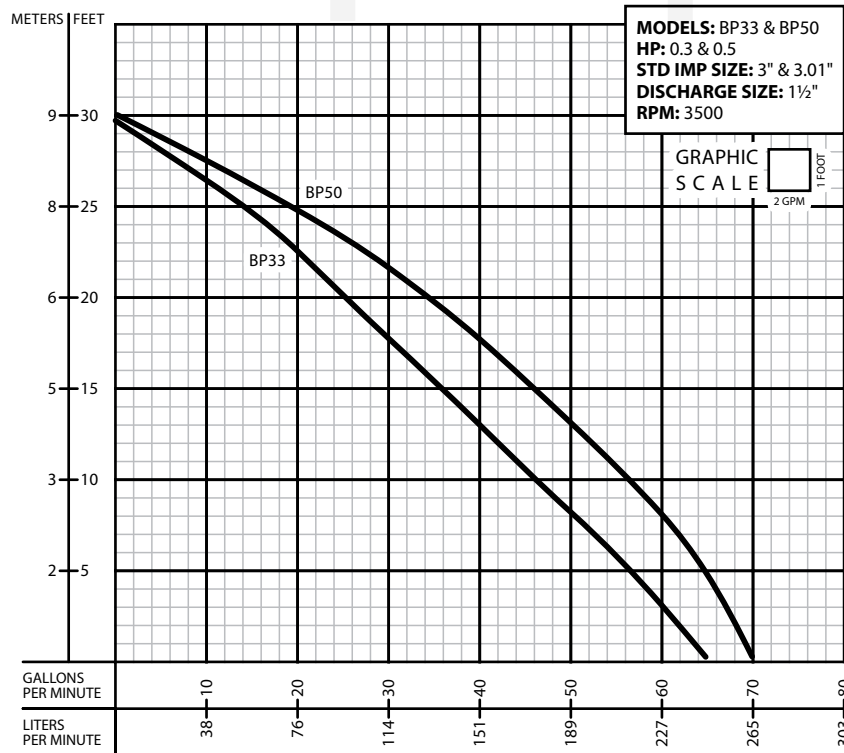


Vertical float switch



MODEL	PART No.	HP	VOLTS	PHASE	RPM (Nominal)	MAX AMPS	LOCKED ROTOR AMPS	WINDING RESISTANCE MAIN-START	CORD SIZE	CORD TYPE	WEIGHT (pounds)
BP33	62180001	0.3	115	1	3500	7.5	23	2.9 - 28.8	18/3	SJTOW	23.1
BP33A	62180002	0.3	115	1	3500	7.5	23	2.9 - 28.8	18/3	SJTOW	23.1
BP33A-X	62180003	0.3	115	1	3500	7.5	23	2.9 - 28.8	18/3	SJTOW	23.1
BP33VF	62180004	0.3	115	1	3500	7.5	23	2.9 - 28.8	18/3	SJTOW	23.1
BP50	62180005	0.5	115	1	3500	8	23	2.9 - 28.8	18/3	SJTOW	23.1
BP50A	62180006	0.5	115	1	3500	8	23	2.9 - 28.8	18/3	SJTOW	23.1
BP50VF	62180007	0.5	115	1	3500	8	23	2.9 - 28.8	18/3	SJTOW	23.1

A = Automatic Float Switch, -X = 20 ft power cord, VF = Automatic Vertical Float Switch.



IMPORTANT!

1. Never use this pump to handle explosive liquids.
2. This pump is not approved to be used in swimming pools, recreational installations or any application where human contact may be common.
3. Pump may be operated "dry" for extended periods without damage to motor &/or seals.
4. Testing is performed with water specific gravity of 1.0 @ 68 °F (20 °C); other fluids may vary performance.