

SELF-PRIMING CENTRIFUGAL TRASH PUMP

Series: 4ATS-R/F-GX390

4" x 4"

Spherical solids handling: 2"



SUCTION

4" NPT, horizontal flange.

DISCHARGE

4" NPT, horizontal with elbow.

LIQUID TEMPERATURE

Continuous: 160° F (71° C).

VOLUTE

Cast iron ASTM A-48, class 30, replaceable.

BODY

Cast iron ASTM A-48, class 30.

BODY CASING

Cast iron ASTM A-48, class 30, with two thumb screws for easy access to clean the impeller.

IMPELLER

Design: 2 vanes, semi-open type, statically balanced.

Material: cast iron ASTM A-48, class 30.

SHAFT SLEEVE

Steel.

HARDWARE

Stainless steel.

O-RINGS

Buna-N.

PAINT

Air dry enamel, water based.

SEAL

Design: mechanical, water lubricated.

Material: ceramic stationary part, carbon ring seal and exclusion in the rotating part. Buna-N elastomer and stainless steel spring.

CHECKVALVE

Valve: flap-neoprene

Weight: steel.

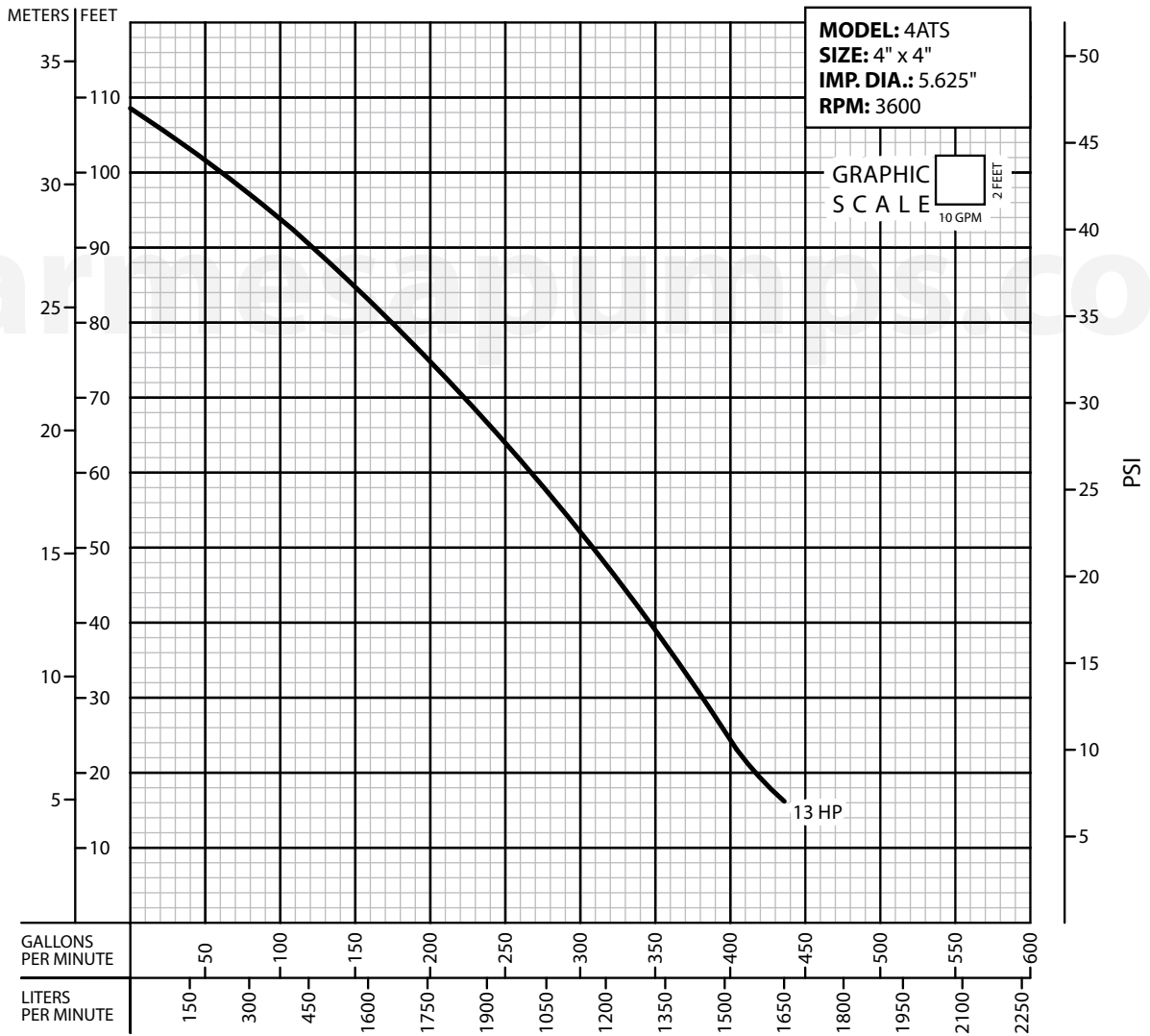
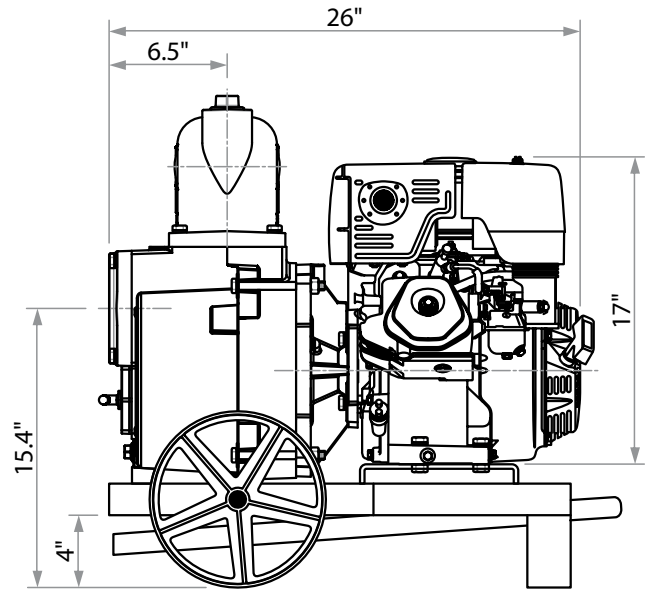
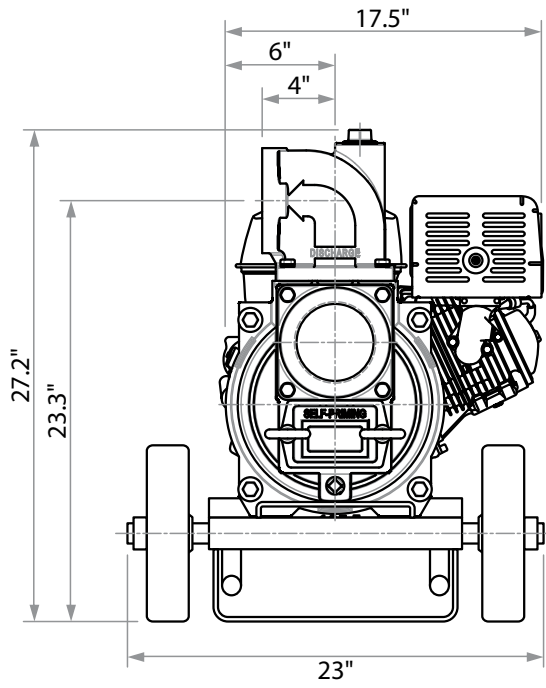
ENGINE

Assembled to a gasoline engine, single-cylinder, 4-stroke, air-cooled, OHV (Overhead Valve).

MOUNTING

- ▶ Base mounted
- ▶ On skid with iron or rubber wheels or pneumatic 5.6" x 15" tires.

ENGINE	MODEL	HP	STARTING
HONDA	GX390	13	Electric



IMPORTANT!

1. Never use this pump to handle explosive liquids.
2. This pump is not approved to be used in swimming pools, recreational installations or any application where human contact may be common.
3. Testing is performed with water specific gravity of 1.0 @ 68° F (20° C); other fluids may vary performance.