

# SUBMERSIBLE SOLIDS HANDLING PUMP

Series: 3BSE-SS  
3 HP / 1750 RPM  
Discharge: 3"  
Spherical solids handling: 2½"



## DISCHARGE

3" NPT female, vertical, bolt on flange.

## LIQUID TEMPERATURE

104°F (40°C) continuous.

## VOLUTE

Cast iron ASTM A-48 class 30.

## MOTOR HOUSING

Cast iron ASTM A-48 class 30.

## SEAL PLATE

Cast iron ASTM A-48 class 30.

## IMPELLER

**Design:** 2 vane, open, with vanes on back side.

**Material:** cast iron ASTM A-48 class 30.

## SHAFT

416 series stainless steel.

## HARDWARE

300 series stainless steel.

## SQUARE RINGS

Buna-N.

## PAINT

Air dry enamel, water based.

## SEAL

**Design:** inboard, single mechanical, oil filled chamber.

**Material:** silicon carbide, Buna-N elastomer and stainless steel hardware.

## CORD ENTRY

25 ft of neoprene cord SJO 14/3, sealed against moisture.

## BEARINGS

**Upper:** ball, single row, oil lubricated, for radial load.

**Lower:** ball, single row, oil lubricated, for radial and thrust load.

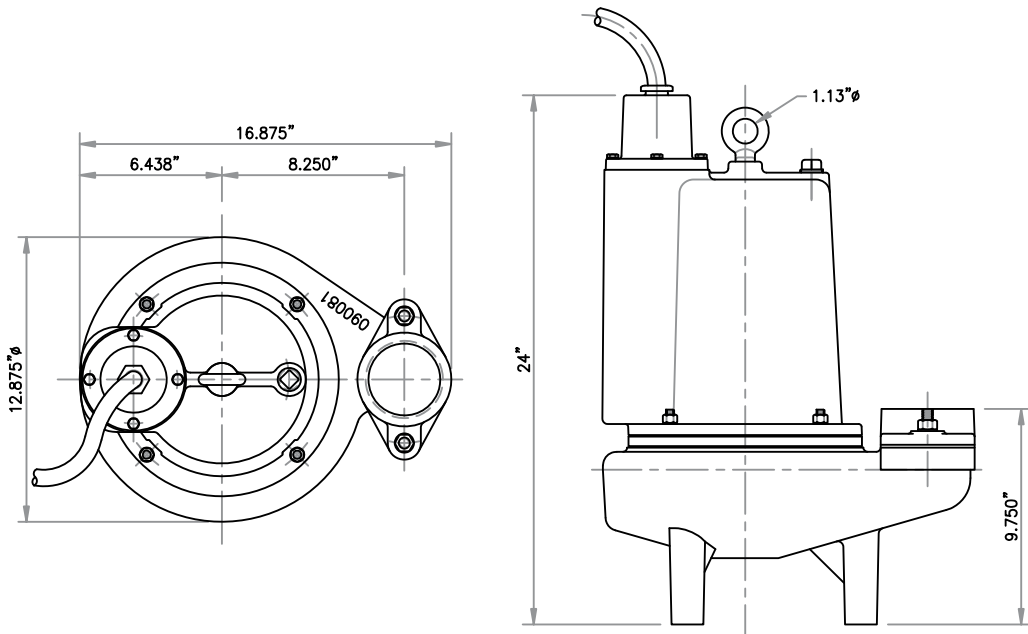
## MOTOR

**Single phase:** permanent split capacitor, 200/230 volts, 60 Hz, 1750 RPM, oil filled, with overload protection in motor.

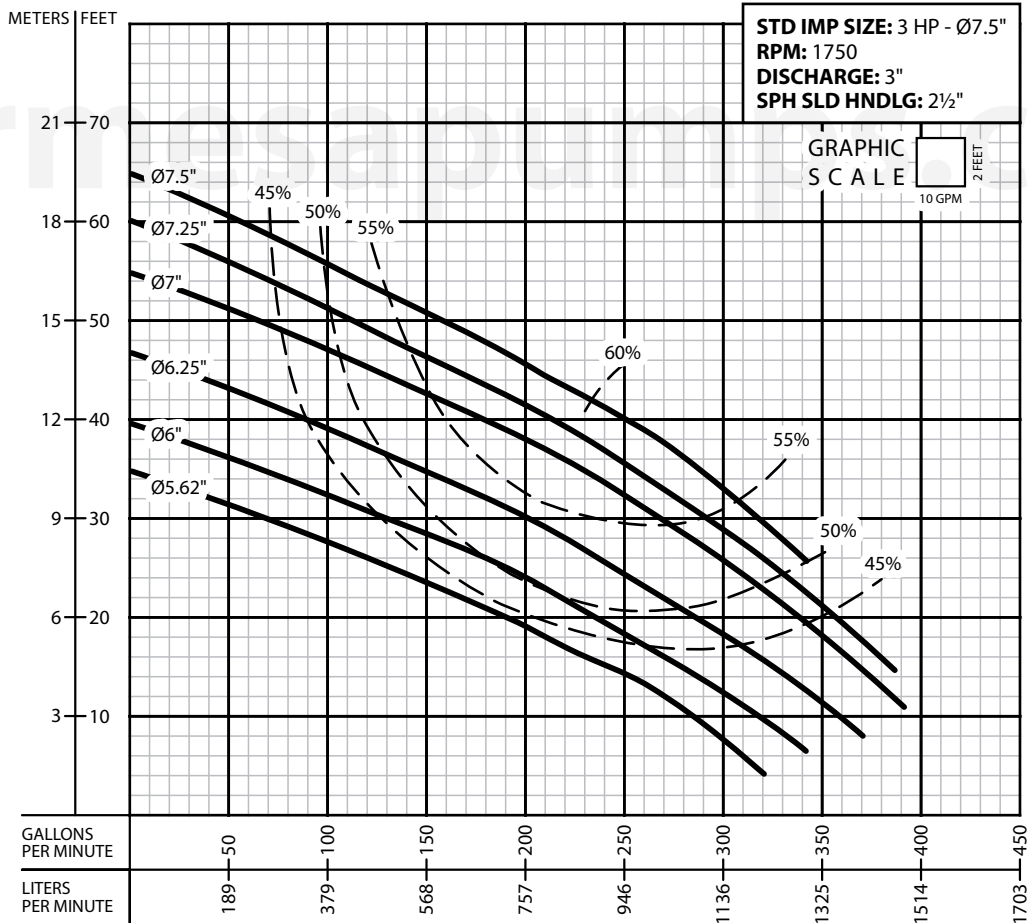
**Three phase:** 200/230 & 460 volts, 60 Hz, 1750 RPM, oil filled. Requires overload protection to be included in control panel.

## OPTIONAL EQUIPMENT

Additional cord.



MODEL	PART No.	HP	VOLTS	PHASE	RPM (Nominal)	MAX AMPS	LOCKED ROTOR AMPS	NEMA CODE	CORD SIZE	CORD TYPE	CORD O. D.	WEIGHT (pounds)
3BSE302SS	62170016	3	200/230	1	1750	28	59	A	10/4	SJO	0.69"	170
3BSE303SS	62170017	3	200/230	3	1750	19	56	D	10/4	SJO	0.75"	170
3BSE304SS	62170018	3	460	3	1750	9	28	D	10/4	SJO	0.75"	170



**IMPORTANT!**

1. Never use this pump to handle explosive liquids.
2. This pump is not approved to be used in swimming pools, recreational installations or any application where human contact may be common.
3. Pump may be operated "dry" for extended periods without damage to motor &/or seals.
4. Testing is performed with water specific gravity of 1.0 @ 68 °F (20 °C); other fluids may vary performance.