

50 Hz Submersible Pumps

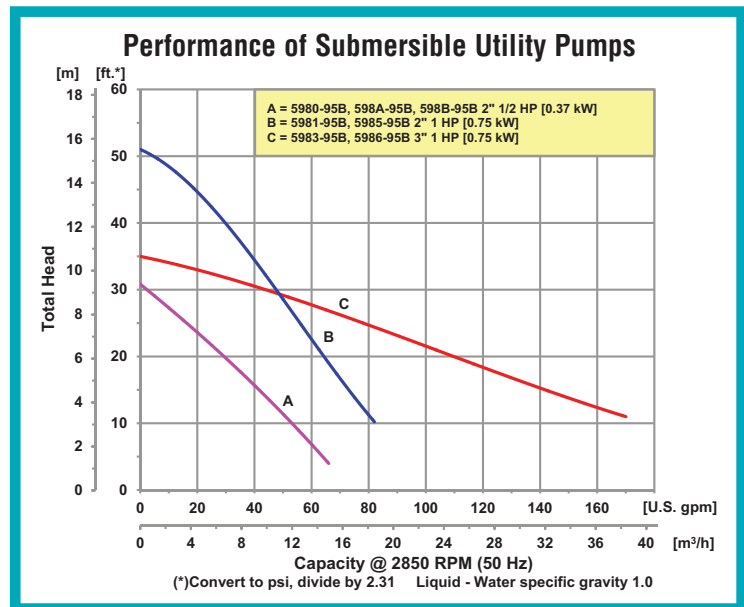
- **Cast Iron with Stainless Steel Motor Housing**
- **1/2 HP and 1 HP, 110 VAC or 220VAC, 50 HZ with 20 Foot Cord**
- **2" and 3" BST Discharge Port with Hose Adapter**
- **Clog Resistant Impeller**
- **Continuous Duty with Automatic Thermal Overload Protection**
- **1/2 Horsepower Models**
 - ◆ **Heavy Duty Polypropylene Strainer**
 - ◆ **Ceramic/Carbon Mechanical Seal Plus Shaft Seal**
- **1 Horsepower Models**
 - ◆ **Stainless Steel Strainer**
 - ◆ **Dual Ceramic/Carbon Mechanical Seal Plus Shaft Seal**
- **Built-In Carry Handle for Portability**
- **UL/CSA Listed**



Model 5981-95B

Model 598A-95B

AMT Industrial Submersible pumps are lightweight, portable, reliable and energy efficient. The clog resistant impeller is designed for general dewatering pump use of which applications include: sump pumps, basements, construction drainage, dewatering, waste water treatments, agricultural irrigation, flooding and other applications requiring clear/drainage water removal. Motors are rated continuous duty 110VAC or 220VAC @ 50 Hz with standard cord and have automatic thermal overload protection.



400 Spring Street • Royersford, PA 19468 USA

www.amtpump.com • 888-amt-pump (268-7867)

For use with nonflammable liquids compatible with pump component materials. Viton® is a registered trademark of E.I. DuPont.

Pump Dimensional & Specification Data

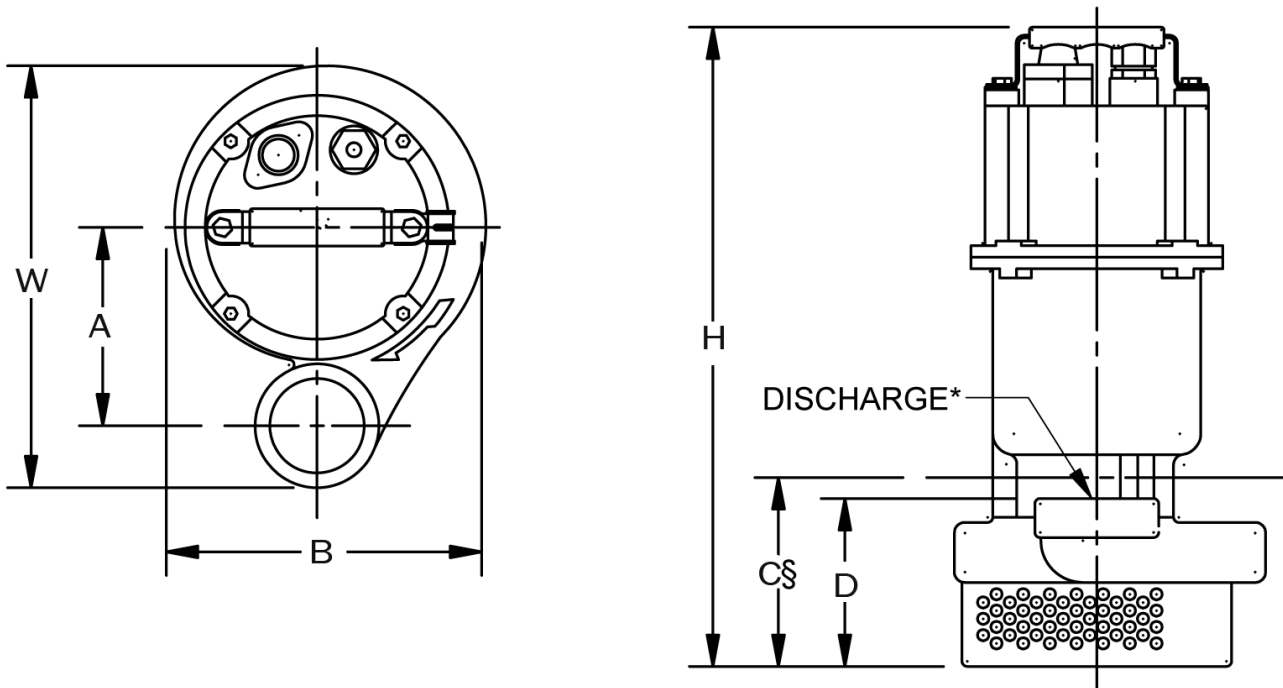
Model	Curve	DIS*	HP	PH	Voltage @ 50 Hz	Full Load Amps	Max Solids (Dia)	Cord Length (M)	A	B	C [§]	D	W	H	Ship Wt. (Lbs.)
598A-95B†	A	2	1/2	1	110	7.5	5/32	6	4.2 [10.6]	5.7 [14.4]	5.0 [12.7]	3.8 [9.6]	8.3 [21.0]	15.0 [38.1]	24
5980-95B															26
598B-95B†	A	2	1/2	1	220	4	5/32	6	4.2 [10.6]	5.7 [14.4]	5.0 [12.7]	3.8 [9.6]	8.3 [21.0]	15.0 [38.1]	26
5981-95B	B	2	1	1	110	14	5/32	6	5.3 [13.4]	7.8 [19.8]	6.0 [15.3]	4.6 [11.7]	10.8 [27.4]	17.5 [44.5]	46
5985-95B	B	2	1	1	220	7	5/32	6	5.3 [13.4]	7.8 [19.8]	6.0 [15.3]	4.6 [11.7]	10.8 [27.4]	17.5 [44.5]	46
5983-95B	C	3	1	1	110	14	7/32	6	6.0 [15.3]	7.5 [19.1]	7.0 [17.8]	5.9 [15.0]	11.8 [29.9]	18.8 [47.7]	53
5986-95B	C	3	1	1	220	7	7/32	6	6.0 [15.3]	7.5 [19.1]	7.0 [17.8]	5.9 [15.0]	11.8 [29.9]	18.8 [47.7]	53

(*) Standard BST (Female) Pipe Thread

(†) Automatic Float Switch

NOTE: Dimensions are in inches (centimeters) and have a tolerance of $\pm 1/8"$

(§) Minimum Liquid Height



Standard Features

- Cast Iron Construction With Stainless Steel Housing
- Automatic Float Switch (Model 598A-95 and 598B-95 only)
- Stainless Steel External Hardware
- Maximum Temp 104°F (40°C)
- Double Mechanical Seal Construction
- Built-In Carry Handle for Portability
- Suction Screen
- UL/CSA Listed
- QSP: Quick Ship Pumps

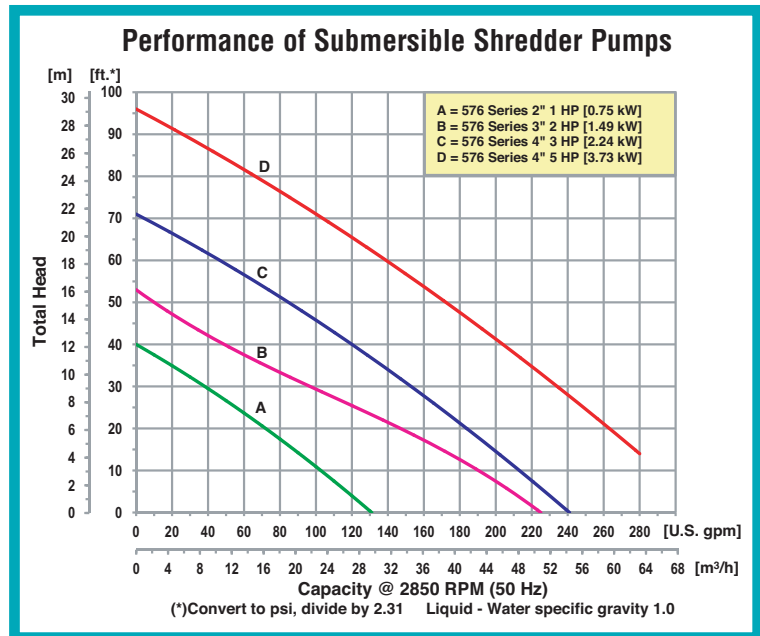
50 Hz Submersible Shredder Sewage Pump



- **Cast Iron with Stainless Steel Motor Housing**
- **Carbide Tipped Shredder Impellers**
- **Spiral Shredder Mechanism Plate Surface Hardened for Enhanced Cutting Ability**
- **Triplex Seal System: Double Mechanical Seals Plus Shaft Seal**
- **Lower Seal - Silicon Carbide**
- **110, 220 or 400 VAC @ 50 Hz Available**
- **1 to 5 Horsepower**
- **2", 3" or 4" BST**
- **UL/CSA Listed**

Model 5765-95B

AMT Submersible Shredder Sewage pumps feature an enhanced spiral shredder mechanism plate and carbide tipped impeller to prevent clogging and reduce maintenance when cutting through stringy, fibrous and sludge type waste. Applications include: sewage pumping stations, septic tanks, sewage treatment plants, dirty water drainage, flood and emergency. Motors are rated continuous duty and single phase models have thermal overload protection. **Minimum liquid requirements must be above 85%. Failure to do so may cause pump damage and void warranty.**



400 Spring Street • Royersford, PA 19468 USA

www.amtpump.com • 888-amt-pump (268-7867)

For use with nonflammable liquids compatible with pump component materials. Viton® is a registered trademark of E.I. DuPont.

Pump Dimensional & Specification Data

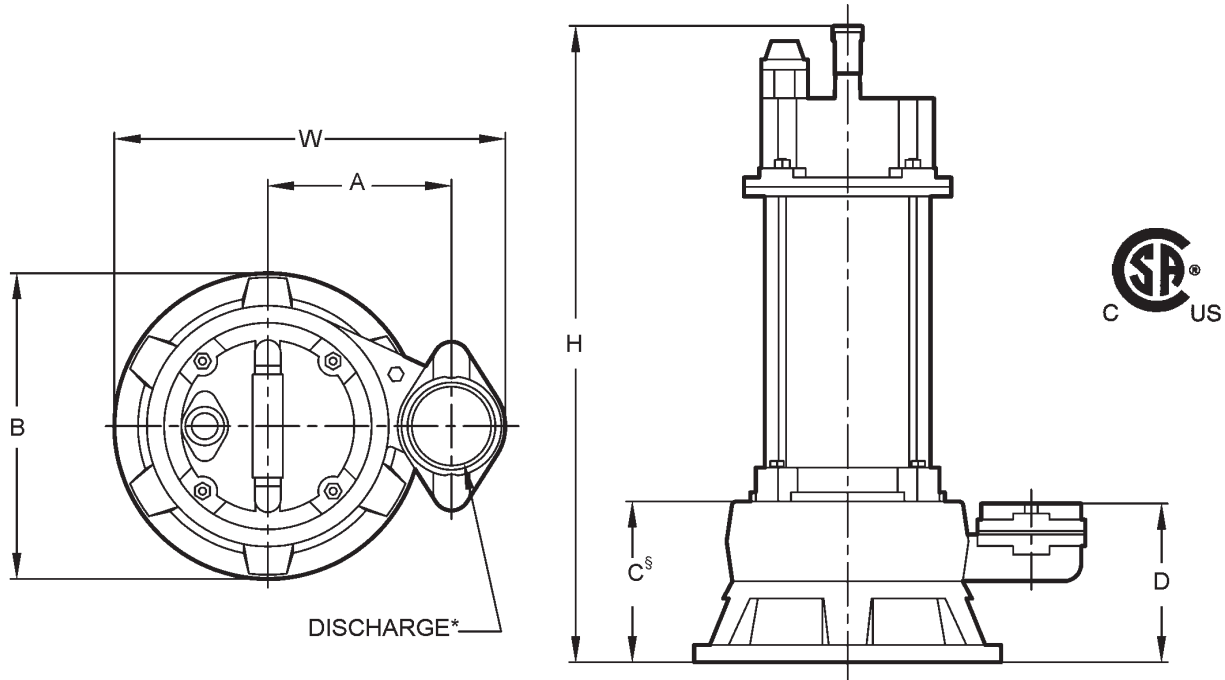
Model	Curve	DIS*	HP	PH	Voltage @ 50 Hz	Full Load Amps	Max Solids (Dia.)	Cord Length (M)	A	B	C ^S	D	W	H	Ship Wt. (Lbs.)
5761-95B	A	2	1	1	220	7	1	10	5.3 [13.4]	8.9 [22.6]	4.5 [11.4]	5.5 [14.0]	11.4 [28.9]	18.5 [46.9]	50
5763-95B	B	3	2	1	220	13	1.1	10	6.5 [16.5]	10.4 [26.4]	5.5 [14.0]	6.5 [16.5]	14.0 [35.3]	21.6 [54.8]	82
5765-95B	C	4	3	1	220	20	1.1	10	7.5 [19.0]	10.4 [26.4]	5.5 [14.0]	6.6 [16.7]	16.2 [40.8]	22.8 [57.9]	120
576E-95B	D	4	5	3	400	8	1.2	10	7.5 [19.0]	10.4 [26.4]	5.5 [14.0]	6.6 [16.7]	16.2 [40.8]	19.7 [50.0]	110

(*) Standard BST (Female) Pipe Thread

NOTE: Dimensions are in inches (centimeters) and have a tolerance of $\pm 1/8$ "

NOTE: Electric supply for ALL motors must be within $\pm 10\%$ of nameplate voltage (Ex: 230V = 203 to 253)

(S) Minimum Liquid Height



Standard Features

- Cast Iron Construction
- Carbide Tipped Impeller
- Carrying Handle
- Stainless Steel Motor Housing
- UL/CSA Listed
- Maximum Temperature 104° F
- Double Mechanical Seal with Carbide Lower Seal
- Suction Screen
- QSP – Quick Ship Pumps