

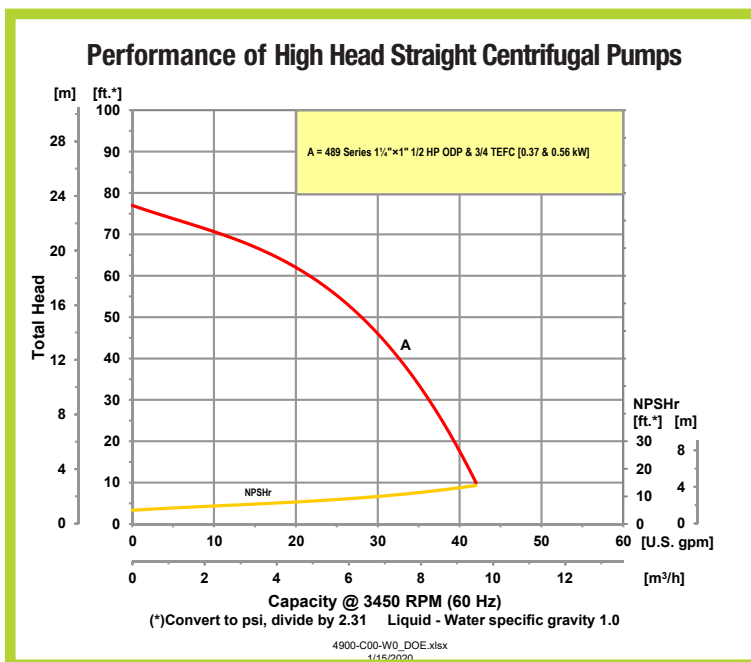
# High Head Straight Centrifugal Pumps

- **300 Series Investment Cast Stainless Steel, Cast Bronze and Cast Iron Construction with Stainless Steel Impeller**
- **Viton® Mechanical Seal and O-Ring with Stainless Steel and Bronze Models**
- **Buna-N Mechanical Seal and O-Ring with Cast Iron Models**
- **Optional Silicon Carbide Mechanical Seals Available**
- **Discharge Port Rotates in 90° Increments**
- **489 Series: 1-1/4" x 1" Ports**
- **Maximum Flow 42 GPM**
- **Maximum Head 77 Ft. (33 PSI)**



AMT High Head End Suction Centrifugal pumps are designed for continuous-duty OEM, Industrial/Commercial and processing applications including circulation, chemical processing, liquid transfer, and pressure boosting.

These heavy duty high pressure pumps are available in a variety of construction and seal materials to meet your specification. Pull-from-rear design for easy servicing without disturbing any piping. Closed impeller maximizes performance. Pumps are close coupled to Totally Enclosed Fan Cooled (TEFC) or Open Drip Proof (ODP) motors. **Pumps are not self-priming and require flooded suction.**



400 Spring Street • Royersford, PA 19468 USA

[www.amtpump.com](http://www.amtpump.com) • 888-amt-pump (268-7867)

For use with nonflammable liquids compatible with pump component materials. Viton® and Teflon® are registered trademarks of E. I. DuPont.

## Pump Dimensional & Specification Data

Model ‡	Curve	HP	PH	ENC	Voltage @ 60 Hz +	Full Load Amps	SUC*	DIS*	A**	B**	C**	D	E	F	L**	W**	H	‡ Ship Wt. (Lbs.)
4893	A	1/2	1	ODP	115/230	10/5	1/4	1	N/A	5.1 [13.0]	7.4 [18.9]	0.2 [0.6]	2.1 [5.3]	3.3 [8.5]	14.0 [35.5]	8.2 [20.8]	8.6 [21.8]	43
489C		3/4	1	TEFC	115/230	9/5	1/4	1	5.4 [13.8]	5.1 [13.0]	7.4 [18.9]	0.2 [0.6]	2.1 [5.3]	3.3 [8.5]	14.7 [37.3]	10.0 [25.4]	8.6 [21.8]	51
489D		3/4	3	TEFC	230/460	3/2	1/4	1	5.4 [13.8]	N/A	7.4 [18.9]	0.2 [0.6]	2.1 [5.3]	3.3 [8.5]	14.2 [36.0]	10.0 [25.4]	8.6 [21.8]	43

(\*) Standard NPT (Female) pipe thread.

Maximum Solids Handling Capacity: 1/8" Diameter

(\*\*) This dimension may vary due to motor manufacturer's specifications.

(+) 3-Phase motors can also operate on 50 Hz. (This will change full load amps, service factor and RPM)

NOTE: Dimensions are in inches (centimeters) and have a tolerance of  $\pm 1/4"$ .

NOTE: Electric supply for ALL motors must be within  $\pm 10\%$  of nameplate voltage rating (e.g. 230V  $\pm 10\%$  = 207 to 253).

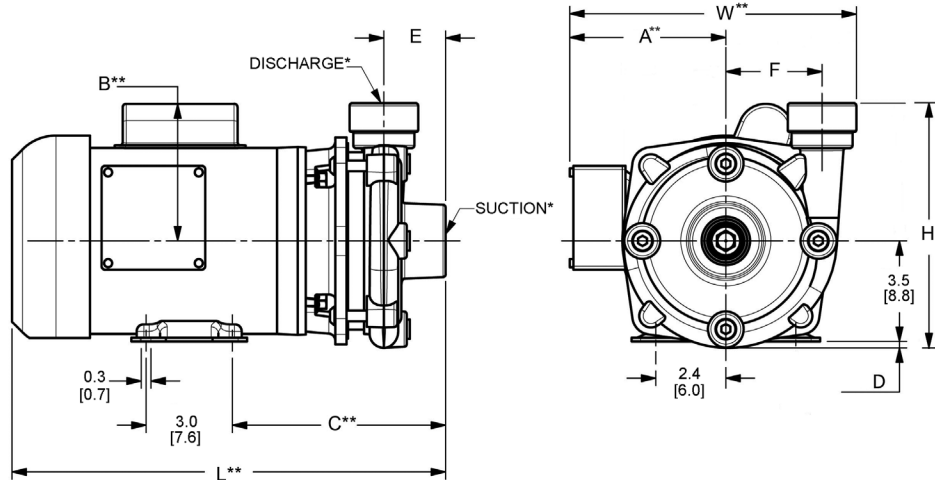
‡ When Ordering, Add the Correct (-9X) Suffix to Model Number Indicating Material Selection (Ex. 4893-95)

XCI (-95) Cast Iron Construction with Buna-N Seals

XB (-97) Cast Bronze Construction with Viton® Seals

XSS (-98) Cast Stainless Steel Construction with Viton® Seals

(All Models Come Standard with Stainless Steel Impeller)



## Standard Features

- Stainless Steel, Bronze and Cast Iron Construction
- Buna-N or Viton® Mechanical Seal and O-ring, Depending on Model
- Optional Silicon Carbide Mechanical Seals Available
- Stainless Steel Motor Shaft and Hardware
- NEMA TEFC Single or Three Phase 3450 RPM Motors, Optional ODP Motors Available
- NEMA Base Mounted Motor
- Stainless Steel Impeller
- Discharge Rotates in 90° Increments
- Maximum Working Pressure 150 PSI
- Maximum Temperature
  - ◆ Viton® 200° F
  - ◆ Buna-N 180° F
- (4) Front Drain Plugs, Located 90° Apart
- QSP – Quick Ship Pump for Many Models

**Hazardous Duty/Xpllosion Proof motors available from stock ranging from 1 to 10 HP; CALL FOR QUOTATION & LEAD TIME!**