

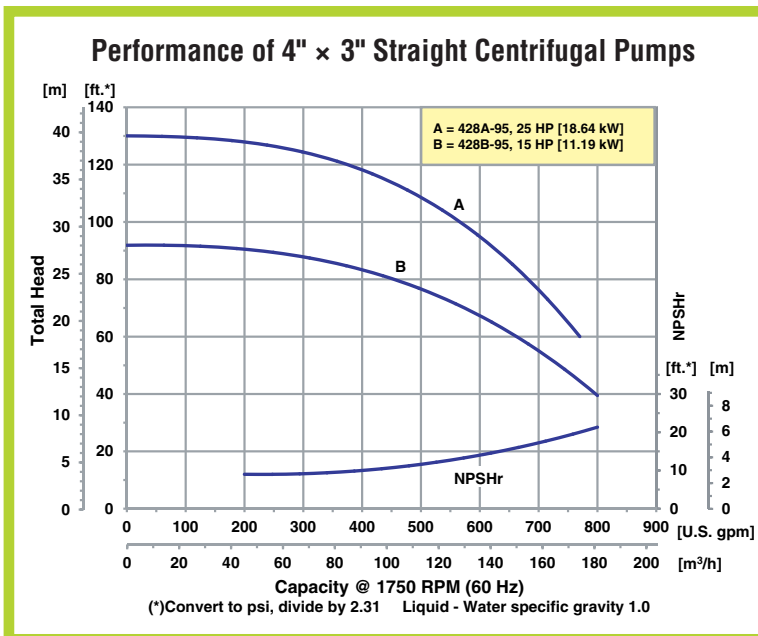
# 1750 RPM Straight Centrifugal Pumps

- **Cast Iron Construction**
- **Silicon Bronze Precision Cast Dynamically Balanced Impeller**
- **Viton® Silicon Carbide/Carbon Mechanical Seal**
- **Bronze Case Wear Ring**
- **4" x 3" 125 Lb. 8-Bolt Flanged Suction Port & 4-Bolt Flanged Discharge Port**
- **Pull-From-Rear Design Permits Easy Servicing Without Disturbing Piping**
- **1/4" NPT Gauge Taps on Suction & Discharge Ports For System Monitoring**
- **Bronze Shaft Sleeve to Protect Motor Shaft**
- **Maximum Casing Pressure 175 PSI**
- **Maximum Temperature 200° F**
- **Includes Seal Flush/Air Relief Valve**
- **Front Drain Plugs**
- **TEFC JM NEMA Frame IE2/EPAC Energy Efficient Motors**

Model 428A-95

Model 428B-95

The AMT Cast Iron 1750 RPM Solids Handling End Suction Centrifugal pump delivers performance that minimizes operation and energy costs. Built to last, each pump features a precision cast bronze impeller that is dynamically balanced to minimize vibration and maximize motor bearing life. Pull-from-rear design simplifies maintenance without disturbing piping connection. Gauge taps at the suction and discharge ports allow for system monitoring. Maximum 1/4" diameter solids handling and optional seal flush/air relief valve is available for vertical installations. **Pumps require a flooded suction and positive suction pressure.**



400 Spring Street • Royersford, PA 19468 USA

[www.amtpump.com](http://www.amtpump.com) • 888-amt-pump (268-7867)

For use with nonflammable liquids compatible with pump component materials. Viton® and Teflon® are registered trademarks of E. I. DuPont.

## Pump Dimensional & Specification Data

Model†	Curve	HP	PH	Frame	ENC	Voltage @ 60 Hz +	Full Load Amps	SUC*	DIS*	A**	B	C	D	E	F	G	J	L**	W**	H	Ship Wt. (Lbs.)
428B-95	B	15	3	254JM	TEFC	208-230/460	41/19	4*	3*	10.0 [25.6]	6.2 [15.9]	14.7 [37.5]	7.6 [19.4]	5.0 [12.7]	8.2 [21.0]	6.4 [16.4]	10.0 [25.4]	31.3 [79.7]	21.0 [53.3]	15.6 [39.6]	365
428A-95	A	25	3	284JM	TEFC	208-230/460	67/30	4*	3*	10.8 [27.6]	7.0 [17.8]	15.2 [38.7]	8.1 [20.8]	5.5 [14.0]	9.5 [24.1]	7.1 [18.1]	11.0 [27.9]	31.0 [78.6]	23.0 [58.4]	17.1 [43.4]	530

(\*) Standard NPT (Female) pipe thread.

Maximum Solids Handling Capacity: 1/4" Diameter

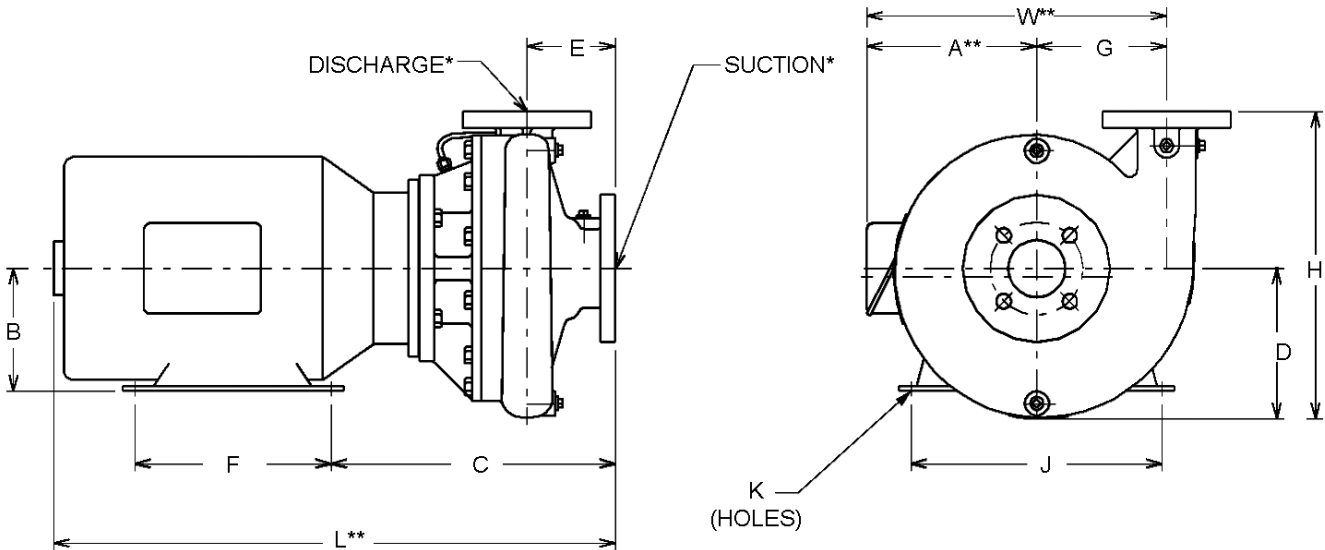
(\*\*) This dimension may vary due to motor manufacturer's specifications.

† Standard 125# Flange

(+) 3-Phase motors can also operate on 50 Hz. (This will change full load amps, service factor and RPM)

NOTE: Dimensions are in inches (centimeters) and have a tolerance of  $\pm 1/4"$ .

NOTE: Electric supply for **ALL** motors must be within  $\pm 10\%$  of nameplate voltage rating (e.g. 230V  $\pm 10\%$  = 207 to 253).



## Standard Features

- Cast Iron Construction
- Viton® Silicon Carbide/Carbon Mechanical Seal
- Silicon Bronze Precision Cast Dynamically Balanced Impeller
- Bronze Case Wear Ring
- 4" x 3" 125 Lb. 8-Bolt Flanged Suction Port & 4-Bolt Flanged Discharge Port
- 1/4" NPT Gauge Taps on Suction & Discharge Ports for System Monitoring
- Bronze Shaft Sleeve to Protect Motor Shaft
- Maximum Casing Pressure 175 PSI
- Maximum Temperature 200° F
- Includes Seal Flush/Air Relief Valve
- Front Drain Plugs
- 1750 RPM TEFC JM NEMA Frame IE2/EPAC Energy Efficient Motors