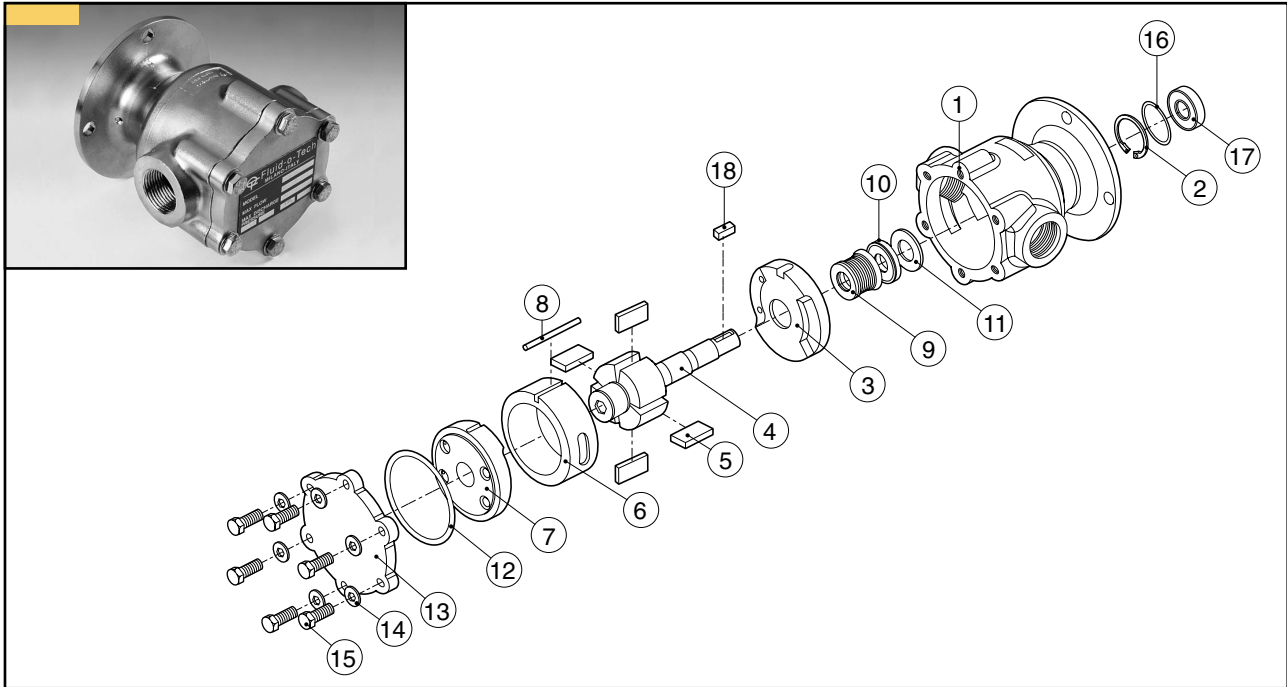


Fluid-o-Tech PO 4000 series rotary vane pumps spare parts list



POS.	DESCRIPTION	MATERIAL	DWG	CODE	NOTES
1	HOUSING	AISI 303 Stainless Steel	210104	5300120	1" GAS
			210105	5300130	1" NPT
2	SEEGER		211000	6300110	
3	REAR FLANGE	GRAPHITE	210302	6300340	
4	ROTOR	AISI 303 Stainless Steel	210203	5300140	
5	VANE	GRAPHITE	210402	6300350	
			210501	5300019	1000 l/h pumps
			210502	5300029	1200 l/h pumps
			210503	5300039	1400 l/h pumps
			210504	5300049	1600 l/h pumps
			210505	5300059	1800 l/h pumps
			210506	5300069	2000 l/h pumps
6	LINER	GRAPHITE	210508	5300159	2200 l/h pumps
			210303	6300360	
			210701	6300380	
7	FRONT FLANGE	GRAPHITE	210303	6300360	
8	ALIGNMENT PIN	S.S.	210701	6300380	
9	SEAL	SILICON CARBIDE/EPDM	210808	6300440	
		SILICON CARBIDE/NBR	210802	6300039	
		SILICON CARBIDE/VITON	210805	6300310	
		ALUMINA/EPDM	210810	6300460	
10	SEAL COUNTERFACE	ALUMINA/NBR	210811	6300470	
		ALUMINA/VITON	210812	6300480	
11	WASHER	S.S.	210900	6300100	
		NBR	211200	6300130	
12	O-RING	VITON	211201	6300330	
		EPDM	211203	6300500	
13	CAP	AISI 303 Stainless Steel	211301	5300110	
14	WASHER		210902	6300220	
15	SCREW		211401	6300160	
16	BALL BEARING O-RING	NBR	211202	6300430	
17	BALL BEARING		211100	6300120	
18	KEY	S.S.	211500	6300170	



Fluid-o-Tech
<http://www.fluidotech.it>

Via Morimondo, 23
 20143 Milano - Italy
 Tel. (39) 02 8917071
 Fax (39) 02 89170799

161 Atwater St.,
 Plantsville CT (USA) 06479
 Tel. (1) (860) 276-9270
 Fax (1) (860) 620-0193

6F, 2-19-2, Akasaka,
 Minato-ku, Tokyo 107-0052 Japan
 Tel. 81 (0) 3-3585-8471
 Fax 81 (0) 3-3585-8472