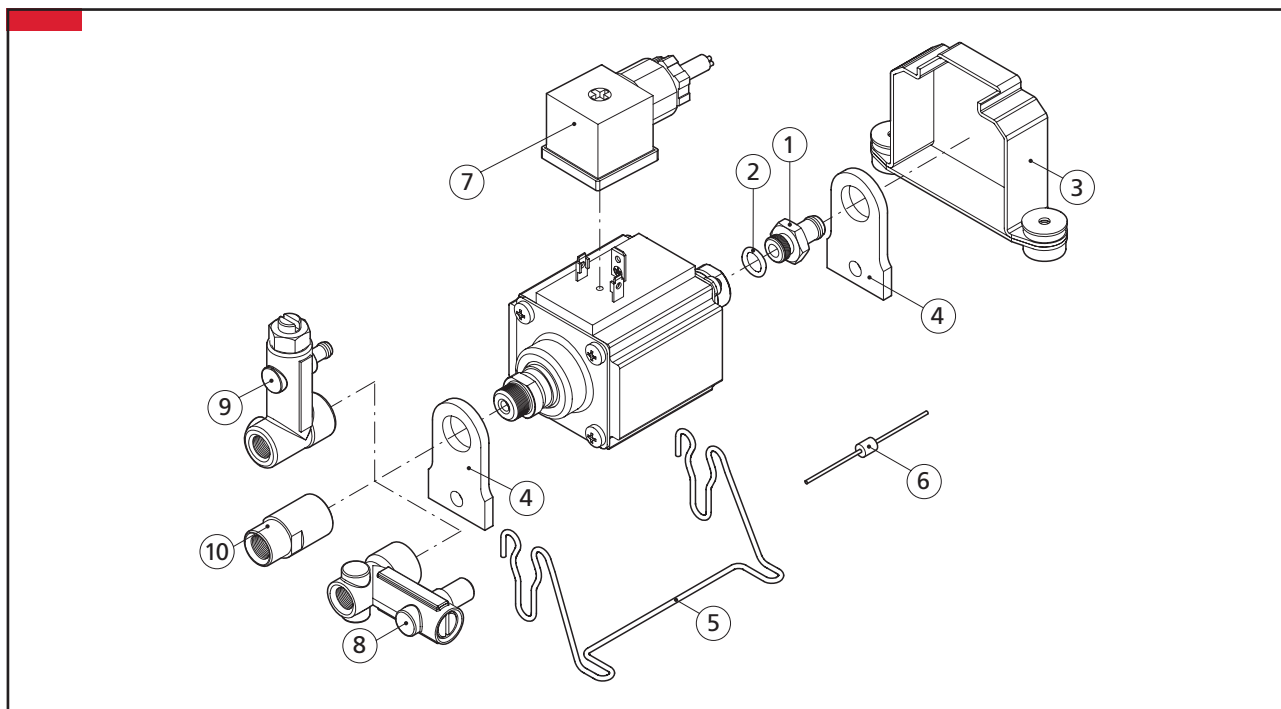


# Fluid-o-Tech oscillating piston pumps accessories and fittings



POS.	DESCRIPTION	MATERIAL	CODE	NOTES
1	HOSE FITTING	BRASS	23165	
2	HOSE FITTING O-RING	NBR VITON®	23292 23451	
3	METAL BRACKET		A B	
4	RUBBER BRACKET	EPDM	23106	
5	WIRE BRACKET	S.S.	23036	
6	DIODE		23027 23457	1 A diode 3 A diode
7	PLUG+DIODE+WIRE PLUG+DIODE W/O WIRE		C1A C1B C5	wire towards/inlet wire towards/outlet
8	BY-PASS	BRASS	B2N B2V	NBR seals Viton® seals
9	1/8" GAS flow regulator	PLASTIC	R1N	
10	1/8" GAS fitting	BRASS	M1N	
	1/8" GAS fitting with Viton® seals	BRASS	M1V	
	1/8" GAS fitting	PLASTIC	M2N	
	1/8" GAS fitting with Viton® seals	PLASTIC	M2V	
	1/8" GAS high flow fitting	BRASS	M3N	
	1/8" GAS high flow fitting with Viton® seals	BRASS	M3V	
	1/8" GAS high flow fitting with PTFE seals	BRASS	M3T	
	1/8" NPT high flow fitting	BRASS	M9N	
1/8" NPT high flow fitting with Viton® seals	BRASS	M9V		

ACCESS - VIP - 01/09 Ed.