

Magnet drive gear pump-motor units DGM09 series



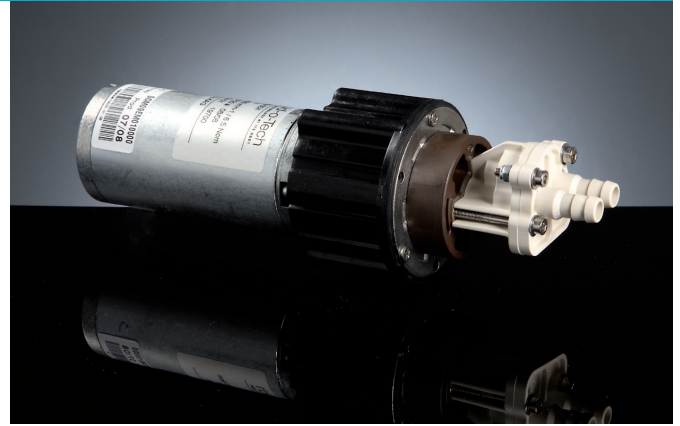
Find out more

The DGM09 series magnet drive gear pumps derive from the well established mag drive MG200 series.

Built to handle clean water and relatively viscous fluids at low pressure, the DGM09 series pump-motor unit has low pulsation and is capable of handling fluids at a maximum temperature of 95 °C (203 F). The pump housing and the gears are made of Vectra. Seals are available in NBR, EPDM or VITON®.

The seal less design is guarantee of reliability. Suction/discharge ports are 8 mm barbed end.

- Motor: 12-24 V DC, 3000 rpm, brush type



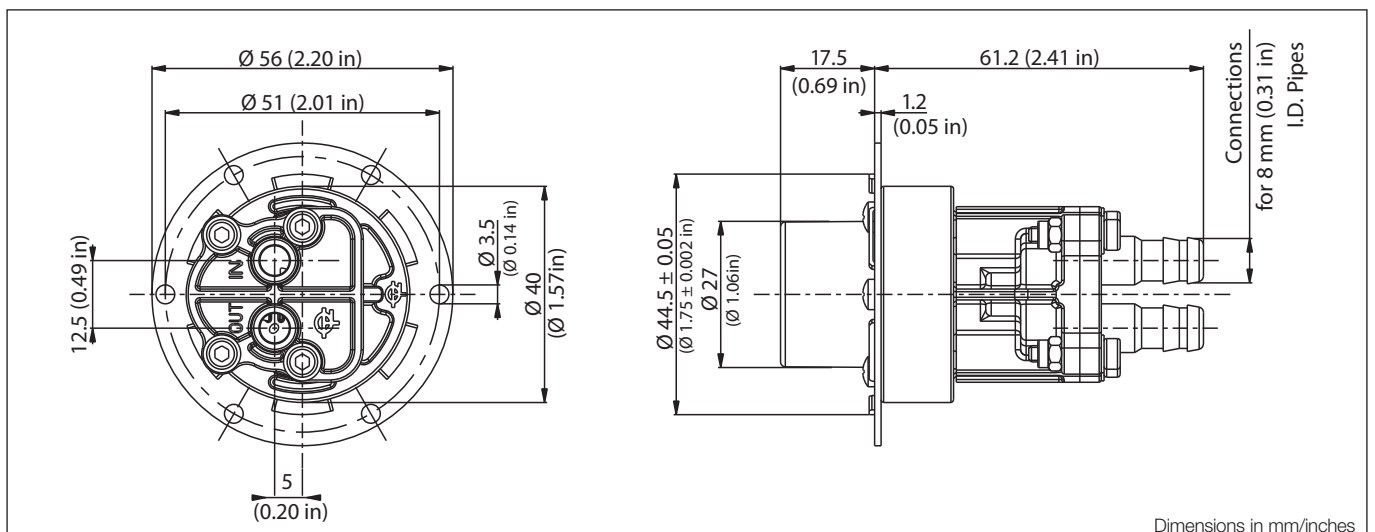
MAIN APPLICATIONS

- Water purification
- Laser cooling
- Spraying
- Water recirculation
- Condensation removal
- Low pressure carbonation



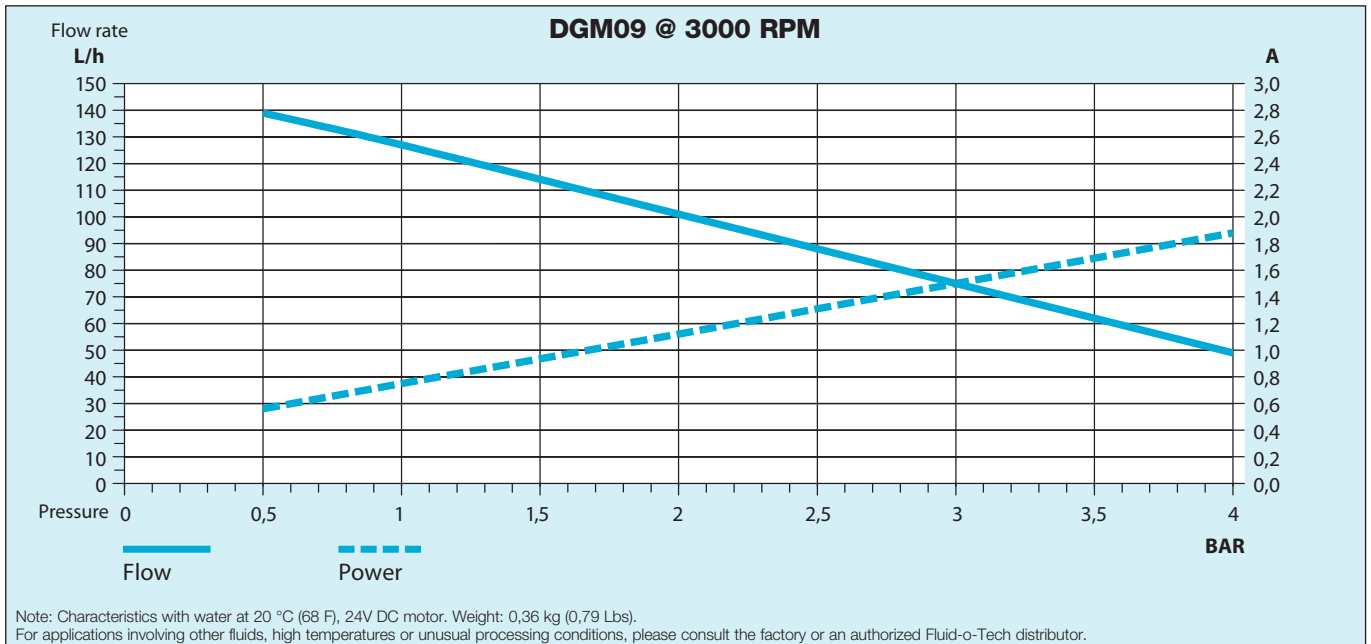
MODEL NUMBER MATRIX

MODEL NUMBER MATRIX						POS	DESCRIPTION	CODE
Position	1	2	3	4	Customiz.	1	Pump series	DGM = magnet drive
Code	DGM	09	E	M01	0000	2	Gears width thickness	09 = 9 mm
						3	Elastic material	E = EPDM N = NBR V = VITON
						4	Motor	000 = none M01 = 3000 rpm/24V M03 = 3000 rpm/12V



* Dimensions without motor and adapter

Dimensions in mm/inches



Fluid-o-Tech reserves the right to alter the specifications indicated in this catalogue at any time and without prior notice.

Fluid-o-Tech srl
Via Leonardo da Vinci, 40
20094 Corsico, Milano, Italy
Tel. +39 02 8917071
Fax +39 02 89170799
info@fluidotech.it

Fluid-o-Tech Int'l Inc.
161 Atwater St.,
06479 Plantsville CT (USA)
Tel. +1 (860) 276-9270
Fax +1 (860) 620-0193
info@fluid-o-tech.com

Fluid-o-Tech Int'l Inc. Japan
203, 2-17-19, Ebara, Shinagawa
Tokyo 142-0063, Japan
Tel. +81 (0) (3) 3783-9660
Fax +81 (0) (3) 3783-9661
k.kato@fluidotech.com

Fluid-o-Tech Asia (Beijing) Co., Ltd
Jingwei Industrial Zone,
Beifang Huairou, Beijing, 101400, PRC
Tel. +86 (0) (10) 61684650
Fax +86 (0) (10) 61684651
info@fluidotech-asia.com