




FINISH THOMPSON INC.

Sealless, Best Value

Provides an economical choice for light duty transfer. Ideal replacement for hand pumps.

- Features:** PP, pure PP/PVDF, or 316SS tubes
 Dual speed adjustable motors
 Tubes interchangeable with motors
 Lightweight & economical
 Built-in hose & cord clips (EFP/EFV only)

Applications: Light acids and bases, solvents[†], plating solutions, sodium hypochlorite, cleaners, coolants, diesel exhaust fluid (DEF)/AdBlue 



Tube Lengths

EFP & EFV: 16" (41cm), 27" (69cm), 40" (102cm), 48" (122cm), 54" (137cm)
 EFS: 16" (41cm), 27" (69cm), 40" (102cm), 48" (122cm)

Construction Specifications

Pump Model	Construction Materials		Tube Dia. in (cm)	Discharge Size & Type	Hose Size in (cm)	Max. Temp.**		Min. Temp.	
	Outer Tube	Internals				°F	°C	°F	°C
EFP	Polypropylene	316SS, FKM, PTFE, PP	1-1/4 (3.2)	3/4" Hose Barb	3/4 (1.91)	150	66	0	-18
EFV	Pure Polypropylene/Pure PVDF	Alloy 625, FKM, PTFE, ETFE, PP	1-5/16 (3.3)			160	71	0	-18
EFS	316 Stainless Steel	316SS, FKM, PTFE, ETFE	1-1/4 (3.2)			212	100	0	-18

**EFV-54 Maximum Temperature = 150°F (66°C)

Performance Data

Maximum Flow ¹			Maximum Head ¹			Max. Specific Gravity ²	Maximum Viscosity		
Elec. gpm (lpm)	Air gpm (lpm)	12V gpm (lpm)	Elec. ft (m)	Air ft (m)	12V ft (m)		Elec.	Air	12V
17 (64.4)	15 (56.8)	14 (53.0)	20 (6.1)	17 (5.2)	13 (4.0)	1.6	300 cP	300 cP	100 cP

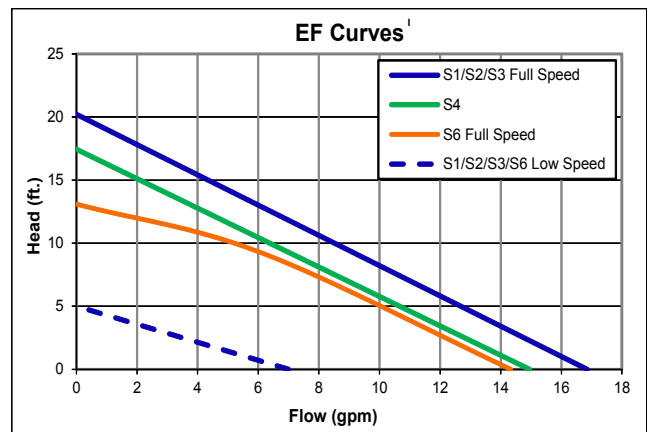
¹Max. specific gravity is dependent on fluid viscosity. Refer to Specific Gravity Maximums table & curve below.

Viscosity Data

Electric/Air Motor Viscosity (cP)	100			200			300			12V Motor		
	100	200	300	50	100	150	50	100	150			
Max Flow gpm (lpm)	7 (26)	5 (19)	4 (14)	7 (26)	3 (11)	3 (11)	7 (26)	3 (11)	3 (11)			
Max Head ft (m)	16 (5)	16 (5)	16 (5)	11 (3)	14 (4)	14 (4)	11 (3)	14 (4)	14 (4)			

Note: Viscosity data is based on motors operating at high speed.

Maximum Performance Limits			
High Speed Motor Setting			
If specific gravity is:	viscosity cannot exceed:		
	S1, S2, S3, S4	S6	
1.0	300 cP	100 cP	
1.1	300 cP	50 cP	
1.2	125 cP	1 cP	
1.6	1 cP	-	
Low Speed Motor Setting			
If specific gravity is:	viscosity cannot exceed:		
	S1, S2, S3	S6	
1.0	100 cP	25 cP	
1.2	75 cP	25 cP	
1.6	1 cP	25 cP	



*Pat. US D658,273 S; Pat. US D657,849 S; Pat. ZL 201130042121.X; Pat. ZL 201130042107.X; OHIM Pat. 001839002-0002; OHIM Pat.001839002-0001

¹When pumping flammables or combustibles, use air drive motors on stainless steel tubes with static protection kit.

²All testing performed with water at 68°F (20°C). Actual performance can vary by +/- 10%. Actual performance will decrease with increased fluid viscosity and specific gravity.

Need help choosing a pump? Use the handy online Pump Selector at: www.finishthompson.com.





ODP (S1, S2, S3, S6*)



Air (S4)

Model	Description	Certification	Electrical Requirements	Input	Output	RPM	Maximum Viscosity cP
				W	W		

ODP (Open Drip Proof), Splashproof, IP24 Motors

S1	Ergonomic, lightweight design with downdraft cooling. Continuous duty, dual speed, double insulated. 12 ft. (3.5 m) cord with plug and manual reset circuit breaker included.	CSA	115VAC/60 Hz	230	110	8,000/14,000	300
S2		CE	230VAC/50-60 Hz	230	110	8,000/14,000	300
S3		CE	115V/50-60 Hz	230	110	8,000/14,000	300
S6*	Ergonomic, lightweight cordless design. Built-in rechargeable lithium ion battery pack. Dual speed. Dual cooling fans w/ overload protection. Charging jack w/ flip cover.	CE	12V (10.8V w/ work load)	150	100	8,000/12,000	100

*Patent pending.

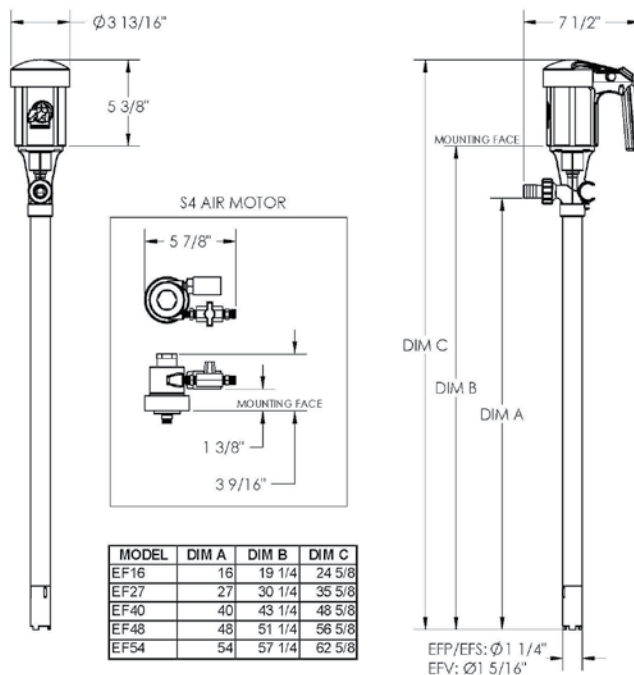
Air Motors*

S4**	Lightweight. Operates from customer-supplied compressed air source. Variable speed. Muffler and control valve.	CE	40 psi @ 27 cfm	-	370	300-11,000	300
------	--	----	-----------------	---	-----	------------	-----

*An air motor is a non-electrical device which means the possibility of explosion from igniting flammables or combustibles is reduced. Air motor performance will depend upon user's compressor and system setup.

**Motor suitable for hazardous areas that do not require independent certification.

Dimensions



Accessories

Wall Hanger

Stores pump & charger upright on the wall



Charger

Standard or car charger

Static Protection Kit

4 ft. synthetic rubber cross-linked PE grounded hose with brass fittings with 3/4" MNPT, ground wire, and clamps



Discharge Hose

Reinforced PVC, EPDM

Dispensing Nozzles

Polypro/316SS, Stainless steel/FKM



Bung Adapters

Stainless Steel, Polypropylene

