

Centrifugal Pumps

AP Series

AP 6 & 8 Series Centrifugal Pumps Horizontal (AC) and Vertical (AV)



AP Series Typical Applications

- Chemical processing
- Plating, photo processing
- Printed circuit boards
- Pharmaceutical
- Waste water treatment

The AP Series

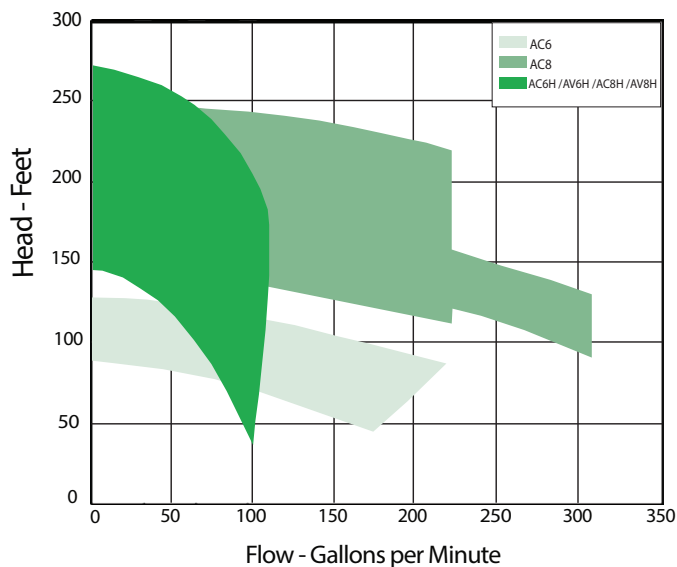
Rugged, metallic sealed centrifugal pumps are compact in design, easy to operate and handle, and economically priced. Built from high quality 316 stainless steel, these pumps are available in horizontal, vertical, or vertical cantilevered designs. All wetted parts are constructed of corrosion resistant materials to withstand the harshest chemical environments.

The AP Series accept standard NEMA frame motors and feature standard NPT threaded ports with flanges optional. Horizontal models also accept standard IEC frame motors and feature BSP threaded ports with optional flanges.

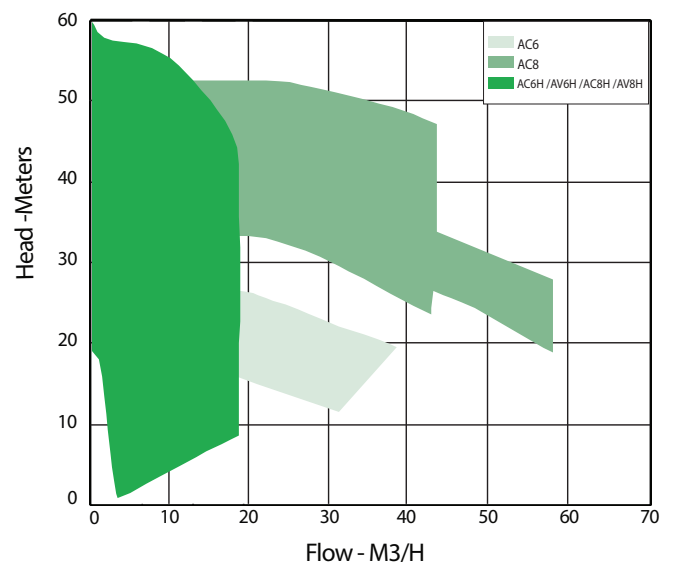
Features

- Corrosion resistant 316 stainless steel
- Close coupled
- Back pull out design for easy service
- Compact design
- Standard and high head impellers
- Bellows Type 21 seals
- FKM, EPDM, or carbon lower bushings (AV models only)
- ATEX certified (AC models with ATEX motors only)
- 1.8 specific gravity with no impeller trim
- Maximum temperature: 300°F (149°C)
- Maximum working pressure: 120 psi (8.3 bar)

60 Hz 3450 RPM



50 Hz 2900 RPM



Specifications

| Model | Suction x Discharge | Impeller Sizes inch | Maximum Flow | | Maximum Head | | Motor Drive | |
|-----------|----------------------|------------------------|-----------------|-------------------------------|----------------|---------------|----------------|----------------|
| | FNPT or FBSP inch | | 3450 rpm gpm | 2900 rpm m ³ /h | 3450 rpm ft | 2900 rpm m | 3450 rpm hp | 2900 rpm kW |
| AC6 | 1-1/2 x 1-1/4 | 5-1/4, 5-3/4, 6 | 122 | 23 | 137 | 29.2 | 7-1/2 | 5.5 |
| AC6/AV6 | 2 x 1-1/2 | | 216 | 39.5 | 130 | 28 | 7-1/2 | 5.5 |
| AC6H/AV6H | 1-1/4 x 3/4 | 6-1/4 | 100 | 18.5 | 144 | 31 | 7-1/2 | 5.5 |
| AC8/AV8 | 2 x 1-1/2 | 6-1/2, 7, 7-1/2, 8 | 242 | 44 | 247 | 53 | 15 | 11 |
| AC8 | 2-1/2 x 2 | | 320 | 58 | 192 | 41.5 | 15 | 11 |
| AC8H/AV8H | 1-1/4 x 3/4 | 7, 8 | 106 | 19 | 263 | 59 | 15 | 7.5 |

| Model | Suction x Discharge | Impeller Sizes inch | Maximum Flow | | Maximum Head | | Motor Drive | |
|-----------|----------------------|------------------------|-----------------|-------------------------------|----------------|---------------|----------------|----------------|
| | FNPT or FBSP inch | | 1725 rpm gpm | 1450 rpm m ³ /h | 1725 rpm ft | 1450 rpm m | 1725 rpm hp | 1450 rpm kW |
| AC6 | 1-1/2 x 1-1/4 | 5-1/4, 5-3/4, 6 | 62 | 11 | 34 | 7.3 | 3 | 2.2 |
| AC6/AV6 | 2 x 1-1/2 | | 110 | 19.5 | 32.1 | 7 | 3 | 2.2 |
| AC6H/AV6H | 1-1/4 x 3/4 | 6-1/4 | 50 | 9 | 36 | 7.75 | 3 | 2.2 |
| AC8/AV8 | 2 x 1-1/2 | 6-1/2, 7, 7-1/2, 8 | 217 | 39 | 61 | 13.1 | 7-1/2 | 5.5 |
| AC8 | 2-1/2 x 2 | | 200 | 36.5 | 45 | 9.6 | 7-1/2 | 5.5 |
| AC8H/AV8H | 1-1/4 x 3/4 | 7, 8 | 90 | 17 | 65 | 14 | 7-1/2 | 5.5 |

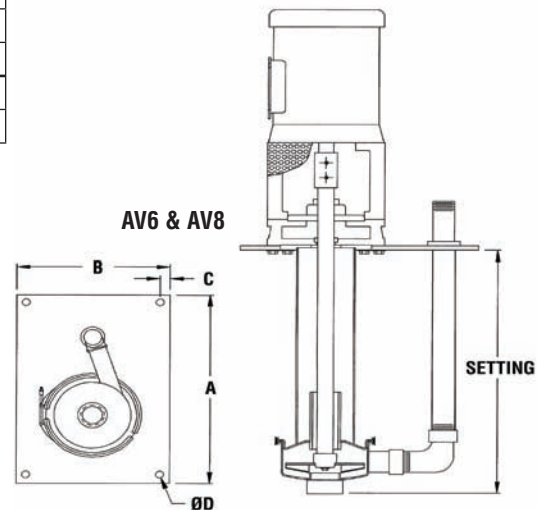
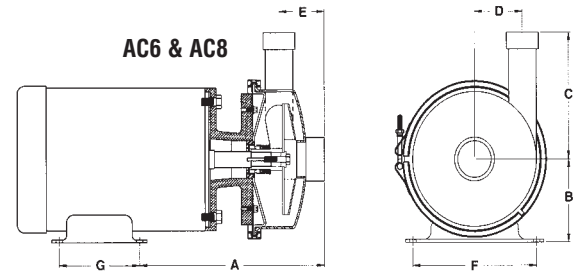
Dimensions

| Model | NEMA Frame | Suction | Discharge | A | B | C | D | E | F | G |
|--------|------------|---------|-----------|---------|-------|--------|--------|--------|-------|---------------|
| AC6SJS | 182-184JM | 1-1/2 | 1-1/4 | 11 | 4-1/2 | 5-3/4 | 2-1/2 | 2-7/16 | 7-1/2 | 4-1/2 / 5-1/2 |
| | | 2 | 1-1/2 | 11-1/8 | 4-1/2 | 5-3/4 | 2-7/16 | 2-5/8 | 7-1/2 | 4-1/2 / 5-1/2 |
| | 145JM | 1-1/2 | 1-1/4 | 10-3/8 | 3-1/2 | 5-3/4 | 2-1/2 | 2-7/16 | 5-1/2 | 5 |
| | | 2 | 1-1/2 | 10-1/2 | 3-1/2 | 5-3/4 | 2-7/16 | 2-5/8 | 5-1/2 | 5 |
| AC6HJS | All | 1-1/4 | 3/4 | 9-5/16 | 3-1/2 | 5-1/4 | 2-7/8 | 1-3/4 | 5-1/2 | 5 |
| AC8SJS | 184JM | 2 | 1-1/2 | 11-3/8 | 4-1/2 | 7-5/16 | 3-1/2 | 2-5/8 | 7-1/2 | 5-1/2 |
| | 213JM | 2 | 1-1/2 | 12-1/2 | 5-1/4 | 7-5/16 | 3-1/2 | 2-5/8 | 8-1/2 | 5-1/2 |
| | 213-215JM | 2-1/2 | 2 | 12-7/8 | 5-1/4 | 7-5/16 | 3-3/16 | 3-1/8 | 8-1/2 | 5-1/2 / 7 |
| AC8HJS | 182-184JM | 1-1/4 | 3/4 | 10-5/16 | 4-1/2 | 5-1/4 | 3-3/4 | 2-1/16 | 7-1/2 | 4-1/2 / 5-1/2 |
| | 145JM | 1-1/4 | 3/4 | 9-9/16 | 3-1/2 | 5-1/4 | 3-3/4 | 2-1/16 | 7-1/2 | 5 |

| Model | NEMA Frame | Suction | Discharge | Setting* | A | B | C | D |
|-----------|------------|---------|-----------|--------------|----|----|-----|------|
| AV6/AV8 | All | 2 | 1-1/2 | 22 / 34 / 46 | 18 | 12 | 3/4 | 9/16 |
| AV6H/AV8H | All | 1-1/4 | 3/4 | 22 / 34 / 46 | 18 | 12 | 3/4 | 9/16 |

*Setting dimension is approximate.

Note: All dimensions are in inches.



FINISH THOMPSON INC.

921 Greengarden Road • Erie, PA 16501-1591 U.S.A.
Ph 814-455-4478 • Fax 814-455-8518
Email fti@finishthompson.com • www.finishthompson.com

Toll Free USA & Canada 1-800-934-9384
Literature I.D. No. - FT97-651F Rev.0, 3.1.13



AN ISO 9001
COMPANY